

Definition: all metals self-locking hexagon nut locking by deformation of the last threads given by recessions at the top of the nut standard to the NF EN ISO 7719 (NFE 25401)

Threading: standard to ISO 965-2

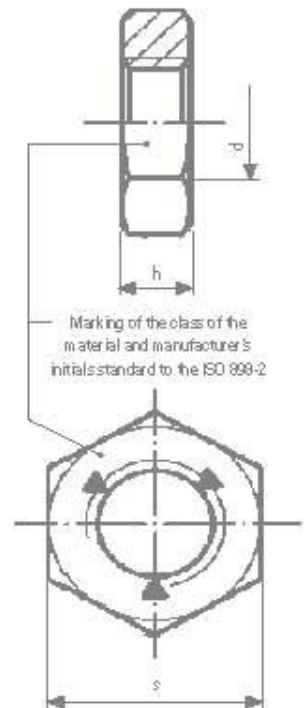
Characteristic and performance test: for steel ISO 898-2 / ISO 2320
for stainless steel ISO 3506-2 / NFE 25035

Dimensions: all forms allowed Hh H Hm: ISO 4033 Symbol Hh (high)
ISO 4032 Symbol H (regular)
ISO 4035 Symbol Hm (low)

Diameter: M3 to M36



d	pitch	s	h HMS		h HUS		h HHS	
			min.	max.	min.	max.	min.	max.
M 3	0,50	5,80	1,55	1,80	2,15	2,40	-	-
M 4	0,70	7,00	1,95	2,20	2,90	3,20	-	-
M 5	0,80	8,00	2,45	2,70	4,40	4,70	4,80	5,10
M 6	1,00	10,00	2,90	3,20	4,90	5,20	5,40	5,70
M 8	1,25	13,00	3,70	4,00	6,44	6,80	7,14	7,50
M 10	1,50	16,00	4,70	5,00	8,04	8,40	8,94	9,30
M 12	1,75	18,00	5,70	6,00	10,37	10,80	11,57	12,00
M 14	2,00	21,00	6,45	7,00	12,10	12,80	13,40	14,10
M 16	2,00	24,00	7,42	8,00	14,10	14,80	15,70	16,40
M 18	2,50	27,00	8,42	9,00	15,10	15,80	16,90	17,60
M 20	2,50	30,00	9,10	10,00	16,90	18,00	19,00	20,30
M 22	2,50	34,00	9,90	11,00	18,10	19,40	20,50	21,80
M 24	3,00	36,00	10,90	12,00	20,20	21,50	22,60	23,90
M 27	3,00	41,00	12,40	13,50	22,50	23,80	25,40	26,70
M 30	3,50	46,00	13,90	15,00	24,30	25,60	27,30	28,60
M 33	3,50	50,00	15,40	16,50	27,40	28,70	30,90	32,50
M 36	4,00	55,00	16,90	18,00	29,40	31,00	33,10	34,70



Quality class	Classification	Range of application
Class 04 steel	QN	Self color -50° C +300° C ^①
Class 05 steel	QS	
Class 8 steel / Grade 5	QV	
Class 10 steel / Grade 8	QK	
Stainless steel A2-70	ZE	Corrosive atmosphere -200° C +400° C ^①
Stainless steel A4-70	ZK	
Stainless steel A4-80	ZH	

^① Values are only given as an indication

Surface treatment (standard to ROHS requirements)			
Electrolytic coating (steel)	Yellow	ZJ	ISO 4042
	White Lanthane ® Finish	ZL	400 h
	White Lanthane ® Finish + Top coat	ZF	600 h
Zinc lamellar (steel)	600 h to 1000 h salt spray		on request
Antigalling (stainless steel)	Stanal ®400	ST	
	Sherardisation (NF EN 13811)	SH	
Self Color		BT	

Example of ordering code					
	Type	Diam X pitch	Class	Protection	
woding classification	HUS	100150	QV	ZL	00
	HUS	M10 X 1,50	8	White Lanthane®	+

^①Standard size

On request: other materials, plating, sizes, imperial thread