

Definition: self-locking nut with nylon insert

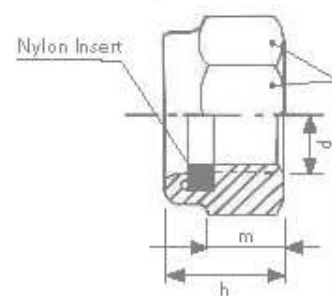
Threading: standard to ISO 965-2

Characteristic and performance test: for steel ISO 898-2 / ISO 2320
for stainless steel ISO 3506-2 / NFE 25035

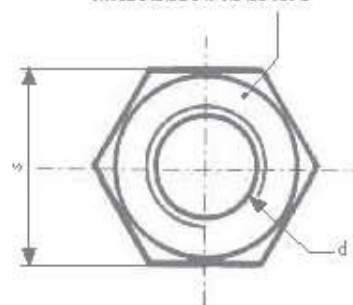
Range of operations: from diameter M3 to M36



d	pitch	h - min.	h - max.	m - min.	s
M 3	0,50	4,02	4,50	2,15	5,50
M 4	0,70	5,52	6,00	2,90	7,00
M 5	0,80	6,22	6,80	4,40	8,00
M 6	1,00	7,42	8,00	4,90	10,00
M 8	1,25	8,92	9,50	6,44	13,00
M 10	1,50	11,20	11,90	8,04	16,00
M 12	1,75	14,20	14,90	10,37	18,00
M 14	2,00	15,90	17,00	12,10	21,00
M 16	2,00	17,80	19,10	14,10	24,00
M 18	2,50	21,00	22,30	15,10	27,00
M 20	2,50	20,70	22,80	16,90	30,00
M 24	3,00	25,00	27,10	20,20	36,00
M 27	3,00	30,40	32,50	22,50	41,00
M 30	3,50	30,10	32,60	24,30	46,00
M 36	4,00	36,40	38,90	29,40	55,00



Marking of the class of the material and manufacturer's initials standard to the ISO 898-2



Quality class	Classification	Range of application	
Class 8 steel / Grade 5	QV	Usual ring	Brown ring
Class 10 steel / Grade 8	QK	-40° C +120° C ⁽¹⁾	-40° C +230° C ⁽¹⁾
Stainless steel A2-70	ZE		
Stainless steel A4-70	ZK		
Stainless steel A4-80	ZH		

⁽¹⁾ Values are only given as an indication

Surface treatment (standard to ROHS requirements)			
Electrolytic coating (steel)	Yellow	ZJ	ISO 4042
	White Lanthane Ⓞ Finish	ZL	400 h
	White Lanthane Ⓞ Finish + Top coat	ZF	600 h
Zinc lamellar (steel)	600 h to 1000 h salt spray		on request
Antigalling (stainless steel)	Stanal Ⓞ 400	ST	
	Sherardisation (NF EN 13811)	SH	
Self Color		BT	

Example of ordering code

	Type	Diam X pitch	Class	Protection	
classification	HUP	M10 X 1,50	ZH	ST	00
marking	HUP	M10 X 1,50	A4 80	Stanal Ⓞ	*

*Standard size

On request: other materials, plating, sizes, imperial thread